

INTRODUCTION

Thank you for choosing an HK Instruments RHT Duct series relative humidity transmitter. The RHT series is intended for use in commercial environments in HVAC/R applications.

RHT Duct is a relative humidity transmitter with temperature output installed in air ventilation duct. Illuminated display ensures easy readability also from a distance. The RHT has a screwless lid and an easily adjustable mounting flange that make the installation of the device easy.

APPLICATIONS

RHT Duct series devices are commonly used to monitor and control:

- Relative humidity and temperature levels of incoming and return air in ventilation system

SPECIFICATIONS

Performance

Measurement ranges:

Temperature: 0...50 °C

Relative humidity: 0–100 %

Accuracy:

Temperature: <0.5 °C

Relative humidity: ±2...3 % at 0...50 °C and 10–90 % rH

Total error band includes accuracy, hysteresis and temperature effect over 5...50 °C and 10–90 % rH.

Technical Specifications

Media compatibility:

Dry air or non-aggressive gases

Measuring units:

°C and % rH

Measuring element:

Temperature: NTC10k

Relative humidity: Thermoset polymer capacitive sensing element

Environment:

Operating temperature: 0...50 °C

Storage temperature: -20...70 °C

Humidity: 0 to 95 % rH, non condensing

Physical

Dimensions:

Case: 120 x 96 x 45 mm

Probe: L=188 mm, d=12 mm

Mounting:

With flange, adjustable 40...155 mm

Weight:

150 g

Materials:

Case: ABS

Cover: PC

Probe: ABS

Protection standard:

IP54

Electrical connections:

4 spring loaded terminals

(24 V, GND, rH, T)

0.2–1.5 mm² (12–24 AWG)**A-model:**

6 spring loaded terminals

(24 V, GND, Voltage_ rH, Voltage_T,

mA_rH, mA_T)

0.2–1.5 mm² (12–24 AWG)

WARNING

- READ THESE INSTRUCTIONS CAREFULLY BEFORE ATTEMPTING TO INSTALL, OPERATE OR SERVICE THIS DEVICE.
- Failure to observe safety information and comply with instructions can result in PERSONAL INJURY, DEATH AND/OR PROPERTY DAMAGE.
- To avoid electrical shock or damage to equipment, disconnect power before installing or servicing and use only wiring with insulation rated for full device operating voltage.
- To avoid potential fire and/or explosion do not use in potentially flammable or explosive atmospheres.
- Retain these instructions for future reference.
- This product, when installed, will be part of an engineered system whose specifications and performance characteristics are not designed or controlled by HK Instruments. Review applications and national and local codes to assure that the installation will be functional and safe. Use only experienced and knowledgeable technicians to install this device.

Electrical

Supply voltage: 24 VAC or VDC ±10 %

Current consumption: max 90 mA (at 24 V) + 10 mA for each voltage output

Output signals for every media:

0/2...5/10 VDC, Load R minimum 1 kΩ

Only A-model:

4...20 mA, Load R maximum 500 Ω, minimum 20 Ω

Zero/Span output calibrated within ±0.08 mA

Conformance

Meets requirements for CE marking:

EMC Directive: 2014/30/EU

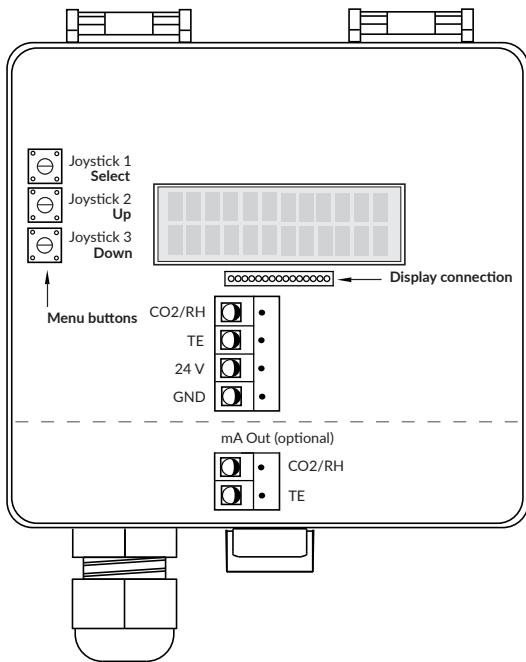
RoHS Directive: 2011/65/EU

WEEE Directive: 2012/19/EU

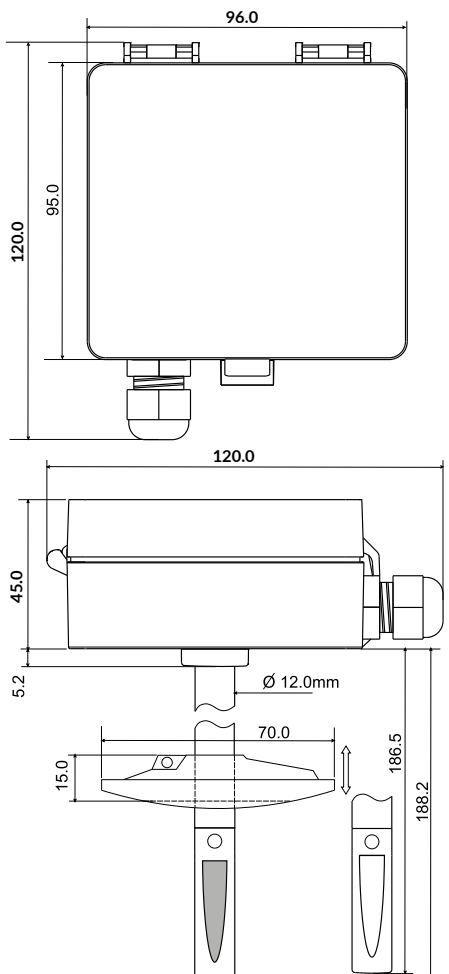
COMPANY WITH
MANAGEMENT SYSTEM
CERTIFIED BY DNV GL
= ISO 9001 = ISO 14001 =



SCHEMATICS



DIMENSIONAL DRAWINGS



INSTALLATION

- 1) Mount the device in the desired location (see step 1).
- 2) Route the cables and connect the wires (see step 2).
- 3) The device is now ready for configuration.

⚠ WARNING! Apply power only after the device is properly wired.

STEP 1: MOUNTING THE DEVICE

- 1) Select the mounting location (on a duct).
- 2) Use the mounting flange of the device as a template and mark the screw holes.
- 3) Mount the flange on the duct with screws (not included). (Figure 1a)
- 4) Adjust the probe to the desired depth. Ensure that the end of the probe reaches the middle of the duct. (Figure 1b)
- 5) Tighten the screw on the flange to hold the probe in position.

Figure 1a - Mounting a flange

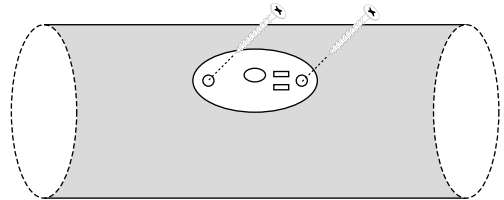


Figure 1b - Mounting the probe in a flange

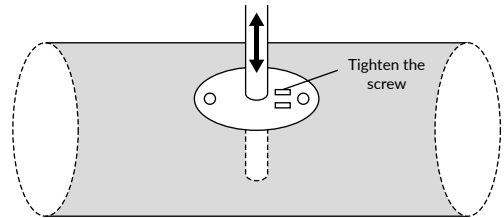
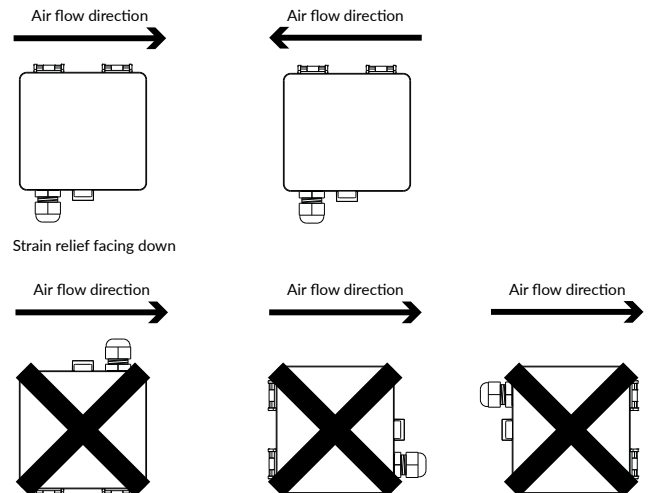


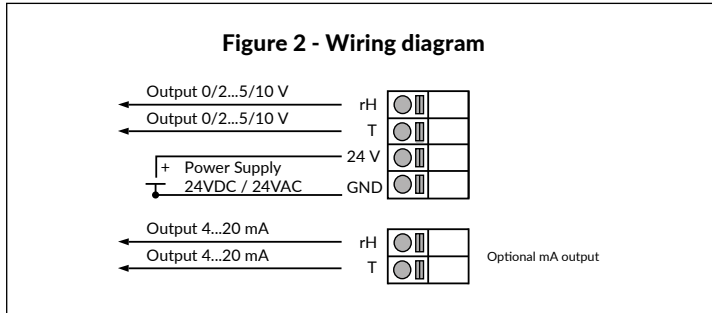
Figure 1c - Mounting orientation



STEP 2: WIRING DIAGRAMS

For CE compliance a properly grounded shielding cable is required.

- 1) Unscrew the strain relief and route the cable(s).
- 2) Connect the wires as shown in figure 2.
- 3) Tighten the strain relief.



STEP 3: CONFIGURATION

Configuration of the RHT Duct series device consists of: Configuration menu options. (Display versions only.) Press the select button to accept changes. Move to the next setting by pressing the down button.

- 1) Activate the device Menu by pushing the select button for 2 seconds.

- 2) Select the humidity low limit for output band: 0...90 %.



- 3) Select the humidity high limit for output band: 10...100 %.



- 4) Select the temperature low limit for output band: 0...45.0 °C or 32...112 °F.



- 5) Select the temperature high limit for output band: 5...50.0 °C or 42...122 °F.



CONFIGURATION CONTINUED

- 6) Select the output maximum voltage: 5 V / 10 V.
NOTE! When using mA outputs, 10 V must be selected.



- 7) Select the output minimum voltage: 0 V / 2 V.
NOTE! When using mA outputs, 0 V must be selected.



- 8) Select humidity offset: ±10 % rH, Offset feature enables field calibration. This is necessary in demanding applications requiring annual calibration.



- 9) Select temperature offset: ±5 °C or ±9 °F



- 10) Push the select button to exit menu.



WARRANTY POLICY

The seller is obligated to provide a warranty of five years for the delivered goods regarding material and manufacturing. The warranty period is considered to start on the delivery date of the product. If a defect in raw materials or a production flaw is found, the seller is obligated, when the product is sent to the seller without delay or before expiration of the warranty, to amend the mistake at his/her discretion either by repairing the defective product or by delivering free of charge to the buyer a new flawless product and sending it to the buyer. Delivery costs for the repair under warranty will be paid by the buyer and the return costs by the seller. The warranty does not comprise damages caused by accident, lightning, flood or other natural phenomenon, normal wear and tear, improper or careless handling, abnormal use, overloading, improper storage, incorrect care or reconstruction, or changes and installation work not done by the seller or his/her authorized representative. The selection of materials for devices prone to corrosion is the buyer's responsibility, unless otherwise is legally agreed upon. Should the manufacturer alter the structure of the device, the seller is not obligated to make comparable changes to devices already purchased. Appealing for warranty requires that the buyer has correctly fulfilled his/her duties arisen from the delivery and stated in the contract. The seller will give a new warranty for goods that have been replaced or repaired within the warranty, however only to the expiration of the original product's warranty time. The warranty includes the repair of a defective part or device, or if needed, a new part or device, but not installation or exchange costs. Under no circumstance is the seller liable for damages compensation for indirect damage.

RECYCLING/DISPOSAL

The parts left over from installation should be recycled according to your local instructions. Decommissioned devices should be taken to a recycling site that specializes in electronic waste.

