

CONFIGURATION TOOL SIRO-CT

Configuration tool for Siro & Siro-Mod series transmitters

Siro-CT is a handheld device engineered for easy commissioning and configuration for Siro series transmitters without display. Siro-CT provides the same features that are available with the Siro transmitter's user interface. The device is ready for use when connected to the display connector of the host device. It does not require a separate power source.

See the Siro series device specific installation instructions and user manual for commissioning and configuration settings.

Siro-CT includes:

- LCD display and buttons to change the host device settings
- connection cable (450 mm)
- powering from the host device

Siro-CT is used for:

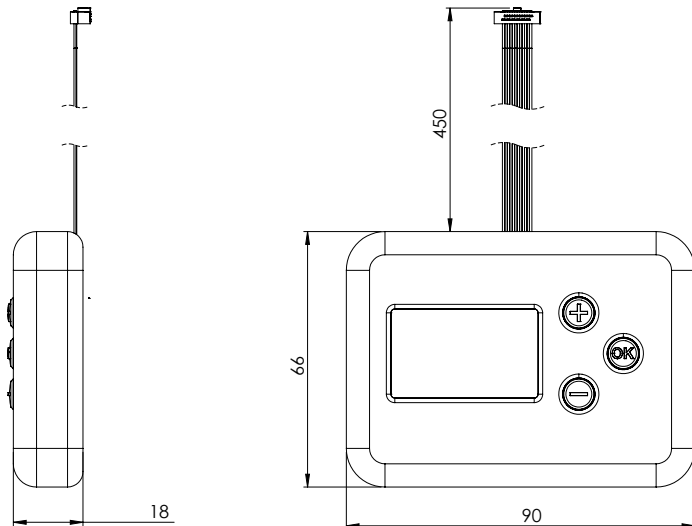
- commissioning and configuration of the Modbus communication
- configuration of the analog output default settings

Product code:

304.009.001



DIMENSIONAL DRAWINGS



SPECIFICATIONS

Technical Specifications

Environment:

Operating temperature: 0...50 °C

Physical

Dimensions:

Case: 90 x 66 x 18 mm
(width x height x depth)
Cable length: 450 mm

Weight:

50 g

Materials:

Case: PA2200

Protection standard:

IP20

Electrical

Power:

Powering from the host device via connection cable

Conformance

Meets requirements for:

EMC:	2014/30/EU	UKCA:	S.I. 2016/1091
RoHS:	2011/65/EU		S.I. 2012:3032
WEEE:	2012/19/EU		S.I. 2013/3113

RECYCLING/DISPOSAL

The parts left over from installation should be recycled according to your local instructions. Decommissioned devices should be taken to a recycling site that specializes in electronic waste.



COMPANY WITH
MANAGEMENT SYSTEM
CERTIFIED BY DNV
ISO 9001 • ISO 14001

